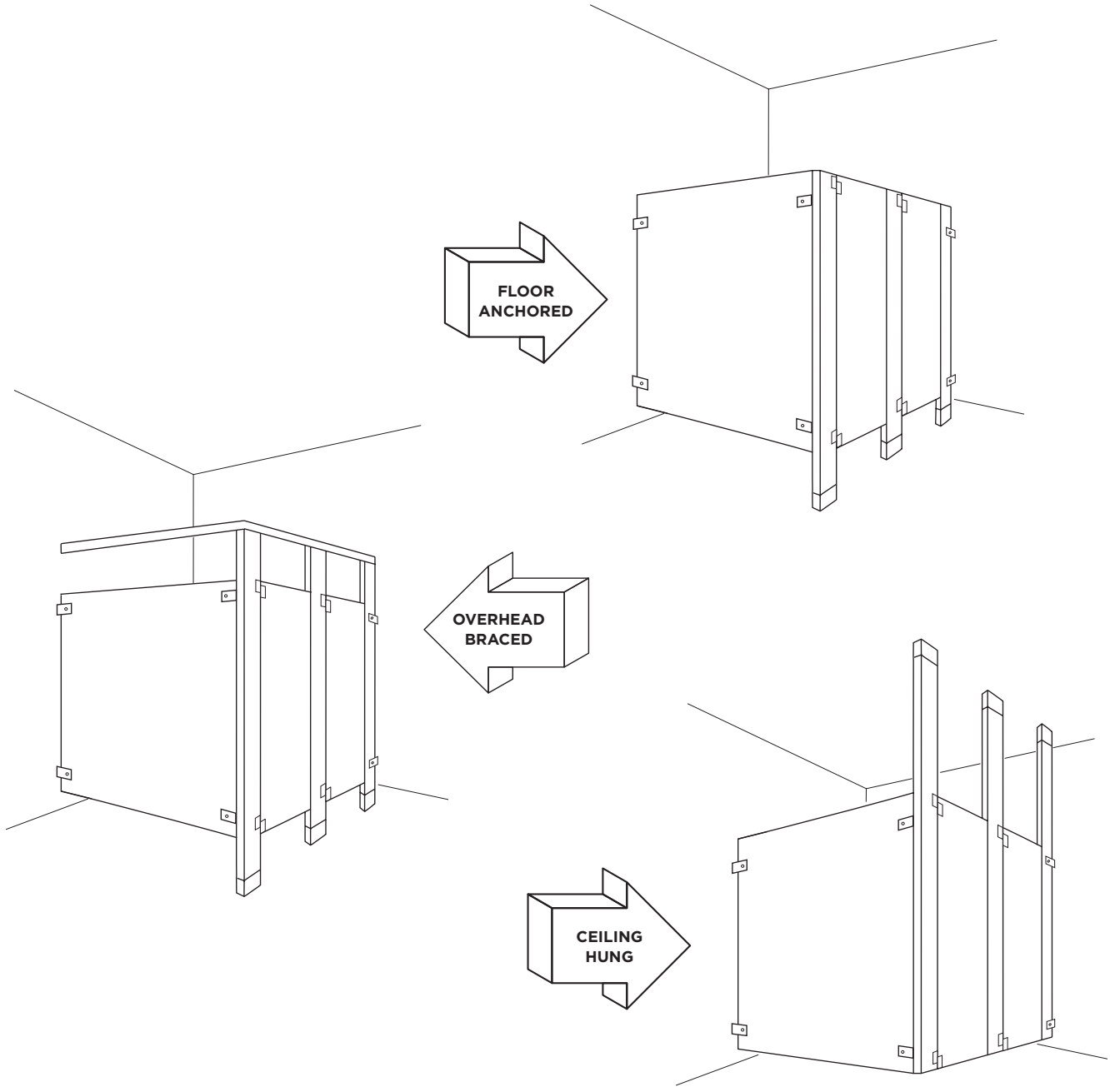


# INSTALLATION INSTRUCTIONS

## HIGH PRESSURE LAMINATE (HPL) TOILET PARTITIONS

*1540 ClassicSeries®*



BUILDING VALUE SINCE 1906

**IMPORTANT:**  
Storage and Handling Information on last page. For faster, easier installation, please review these instructions thoroughly prior to installation.

# PREPARATION

## PRE-INSTALLATION.

- A. Structural support in walls and floors is not furnished by Bobrick. Confirm that adequate backing is present in wall, ceiling and floors prior to installation.
- B. This installation booklet must be used with the Bobrick layout sheets.
- C. You may verify hardware receipt by cross-referencing the last page of the layout sheets against the box contents.

## INSTALLATION STEPS.















1. Lay Out All Anchor Locations..... Page 3
2. Install All Anchors.....Page 4
3. Install Wall Brackets..... Page 7
4. Position Panels.....Page 9
5. Install Stile-To-Panel Brackets .....Page 9
6. Install Stiles/Wall Post .....Page 11
7. Install Headrail (if applicable) .....Page 12
8. Install Inswing Doors .....Page 13
9. Install Outswing Doors..... Page 14
10. Install Shoes .....Page 15
11. Finishing And Cleanup..... Page 16



- A. Organize components with appropriate hardware.
- B. When calculating distances to centerlines, all panels, stiles, and doors are 1" (25mm) thick.
- C. Look for panel-to-stile offsets indicated on the layout sheets.

## RECOMMENDED TOOLS.

*CAUTION: Be sure to use proper safety gear.*

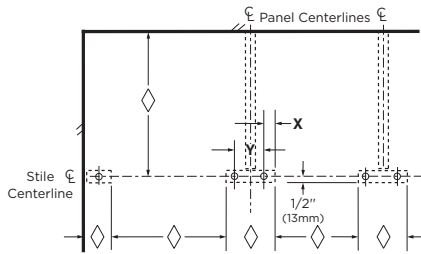
1.  Chalk Line
2.  Self Leveling Laser Device
3.  Masking Tape (for laying out holes on floors/walls/ceilings to be drilled)
4.  Tape Measure and Pencils
5.  Center Punch
6.  Electric and/or Battery-Powered Drill
7.  Drill Bits  
 #19 (.166") M4.2  
 3/16" (4.7mm)  
 5/16" (8mm)  
 3/8" (9.5mm) for Concrete/Masonry  
 7/16" (11mm)
8.  Screwdrivers/Screwdriver Bits  
 slotted and phillips, #1, #2 and #3
9.  Pin-Head Torx Screw Driver - (to install door hardware) - Supplied by Bobrick
10.  Shims
11.  Adjustable Supports  
 1-1/2" to 12" (40-105mm)
12.  Level
13.  Wrench - 9/16" (14mm) open end (2 reqd. for adjusting hex nuts on anchors)
14.  Hack Saw
15.  Hammer
16.  Safety Glasses

# STEP 1 LAY OUT ALL ANCHOR LOCATIONS

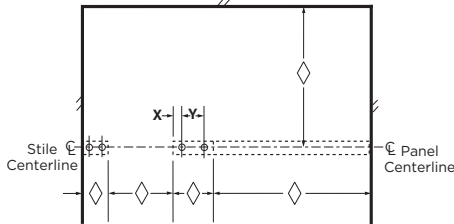
## LAYOUT EXAMPLES.

**LEGEND:**  Obtain Dimension from Bobrick Layout Sheet.

**Fig. 1a: Floor-Anchored or Ceiling-Hung Front-Entry Corner Layout.**



**Fig. 1b: Overhead-Braced Alcove Closed Layout.**

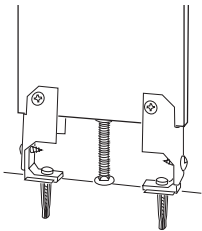


NOTE: The stiles are in-line with panel.

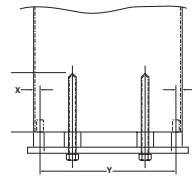
X Dim. = Stile Edge to Centerline of Mounting Hole. Y Dim. = Centerline-to-Centerline of Mounting Hole.

- Refer to Bobrick layout sheets for component locations on your specific application.
- From back wall, measure and mark the location of the stile centerline. Stile centerline = 1/2" (13mm) + panel length + gaps specified on layout sheets.
- From side wall and center of stile location, measure dimensions for floor or ceiling anchors according to layout sheet. Refer to the drilling tables below for center-to-center distances between anchors. For example: Overhead Braced stiles centerline of floor anchor from edge of stile is 1" (25mm); dimension on 3" (8cm) stile is 1-1/2" (38mm).

**Fig. 1e: Detail of Overhead Braced Stile**



**Fig. 1f: Detail of Floor Anchored**



Floor Anchored Stile

NOTE: 16", 18", 20", 24" (41, 46, 51, 61cm) stiles have 2 leveling bars. Use the 2 outside slots for the 2 anchors.

Drilling Table							
Overhead-Braced Series — Standard				Floor-Anchored Series & Ceiling-Hung Stiles			
Stile Size (width)	No. of Holes	X Dim.	Y Dim.	Stile Size (width)	No. of Holes	X Dim.	Y Dim.
3" (76mm)	1	1-1/2" (38mm)	-	3" (76mm)	1	1-1/2" (38mm)	-
4" (102mm)	2	1" (25mm)	2" (50mm)	4" (102mm)	1	2" (50mm)	-
5" (125mm)	2	1" (25mm)	3" (75mm)	5" (125mm)	2	1-1/8" (30mm)	2-3/4" (70mm)
6" (152mm)	2	1" (25mm)	4" (102mm)	6" (152mm)	2	5/8" (16mm)	4-3/4" (121mm)
7" (178mm)	2	1" (25mm)	5" (127mm)	7" (178mm)	2	5/8" (16mm)	5-3/4" (146mm)
8" (200mm)	2	1" (25mm)	6" (152mm)	8" (200mm)	2	5/8" (16mm)	6-3/4" (172mm)
10" (254mm)	2	1" (25mm)	8" (200mm)	10" (254mm)	2	5/8" (16mm)	8-3/4" (222mm)
12" (305mm)	2	1" (25mm)	10" (254mm)	12" (305mm)	2	5/8" (16mm)	10-3/4" (273mm)
16" (406mm)	2	1" (25mm)	14" (355mm)	16" (406mm)	2	5/8" (16mm)	14-3/4" (375mm)
18" (457mm)	2	1" (25mm)	16" (406mm)	18" (457mm)	2	5/8" (16mm)	16-3/4" (426mm)
20" (508mm)	2	1" (25mm)	18" (455mm)	20" (508mm)	2	5/8" (16mm)	18-3/4" (475mm)
24" (610mm)	2	1" (25mm)	22" (560mm)	24" (610mm)	2	5/8" (16mm)	22-3/4" (578mm)

## STEP 2 INSTALL ALL ANCHORS

### OVERHEAD BRACED FLOOR ANCHORS.

- Based on stile size locate centerline of floor L-brackets from Drilling Table. (See page 3).
- Drill 5/16" (8mm) diameter hole to 1-3/4" (45mm) minimum depth. Remove all loose material from holes.
- Install plastic anchors into holes.
- Place one shoe retainer bracket at each hole location.
- Place floor L-bracket on top of and inside each shoe retainer.
- Install #14 x 1-3/4" (M6.4 x 45mm) floor screws to retain bottom floor L-brackets and shoe retainers. **Do NOT tighten screws.** Screws should be loose enough to adjust the floor L-brackets.
- Using the stile as a measurement tool, adjust the floor L-brackets to fit *inside* the stile brackets. Mark locations.
- Remove stile and tighten floor screws securely.

**NOTE:** Wood-floor anchors are available upon request. To install drill 3/16" pilot hole in the floor and install using #14 x 1-3/4" (M6.3 x 45mm) screws.

### FLOOR ANCHORS. Standard

- Drill 3/8" (9.5mm) diameter hole to 2" (50mm) minimum depth. Remove all loose material from holes.
- Insert expansion shield (threaded side down) with threaded rod into mounting hole. Extra flat washers are supplied. Place as many flat washers as necessary onto rod to ensure shoe retainer is placed above finished floor surface. Install and tighten a hex nut above washer(s) and shoe retainer, tightening and expanding anchor to secure to floor. Make sure when tightening bolt that shoe retainer is positioned properly to accept shoe (see Fig. 2b or 10b for proper shoe retainer position).
- Add a second hex nut, then a flat washer.
- Set aside the third hex nut, flat washer, and the lock washer. Install when stile is placed on anchor bolts.
- Repeat process for each floor anchor.

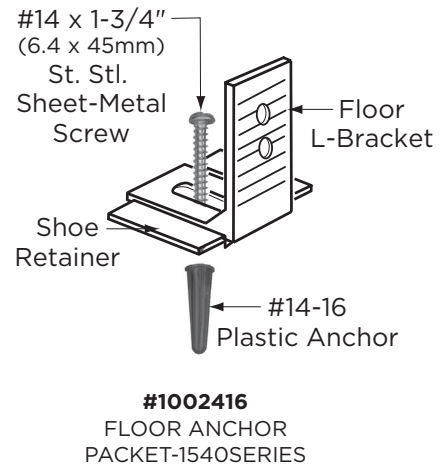
**NOTE:** Wood-floor anchors are available upon request.

### CEILING ANCHORS. Standard

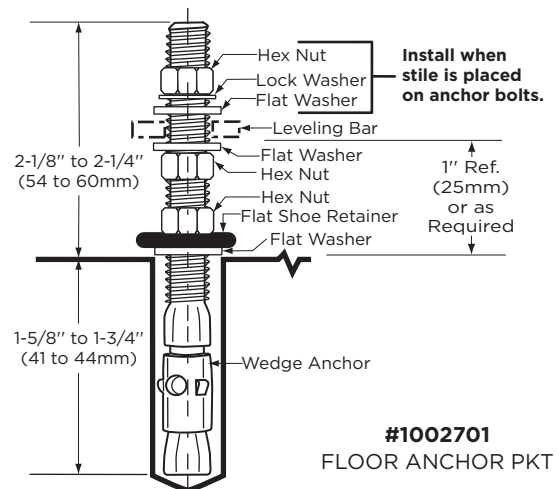
**NOTE:** Ceiling anchors are to be installed before finished ceiling is applied. All structural framing is to be furnished by others. For Bobrick recommendations, refer to Bobrick Form No. TB-32.

- Drill 7/16" (11mm) diameter hole through structural beam. Insert threaded rod through hole in beam. Rod is furnished standard 6" (150mm) length. Longer rods should be purchased locally if required.
- Drop a bevel washer and lock washer over rod. Screw on one hex nut.
- Install second hex nut against bottom of beam and tighten.
- Install spacer, shoe retainer, flat washer, and a third hex nut. Make sure shoe retainer is in proper position to accept shoe (see Fig. 2c or 10b for proper shoe retainer position).
- Install remaining flat washers (2), lock washer (1), and hex nuts (2), as shown in Fig. 2b.
- Repeat process for each ceiling anchor.

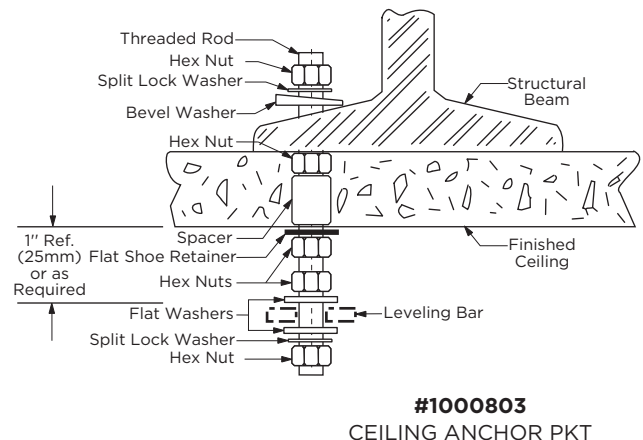
**Fig. 2a: Detail of Overhead Braced Floor Anchor.**



**Fig. 2b: Detail of Floor Anchor.**



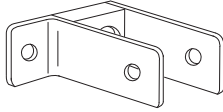
**Fig. 2c: Detail of Ceiling Anchor.**



# BRACKET AND SCREW GUIDE

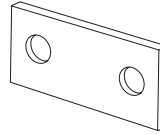
## F-bracket

Panel to Wall  
Stile to Wall  
**#1002350**  
Panel Packet



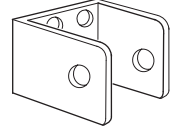
## Flat Plate

Panel to In-Line Stile  
**#1002394**  
Alcove Packet



## U-bracket

Panel to Stile  
**#1002350**  
Panel Packet



## SCREWS



Flat Plate - Panel to In-Line Stile  
**15/16" Shoulder Screw and  
5/8" Barrel Nut**



F-Bracket - Stile/Panel to Wall  
**#12 x 2" - Phillips**

## Pilot Hole Sizes—

- **3/16" (.187) x 5/8" (16mm)**
- For attachment of brackets to panels and stiles.
- Do not through-drill.
- **Through-drilling required.**
- For attachment of Panel to In-line Stile brackets.
- **#19 (.166) x 2" (50mm)**
- For attachment of panel to wall brackets to stud backing.

*NOTE: Adequate wall backing is required.*

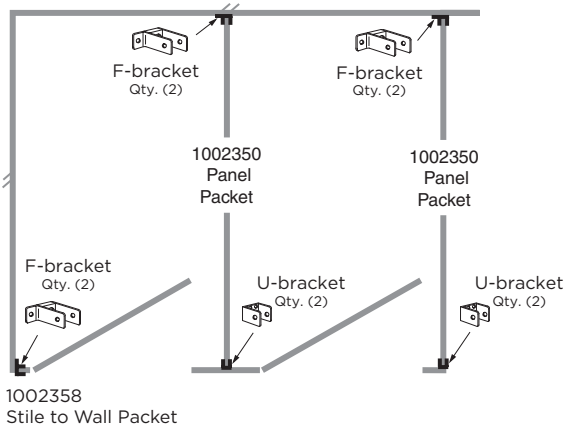
## EXAMPLE BRACKET APPLICATIONS.

Use #12 x 2" screws for all stile-to-wall and panel-to-wall attachments.

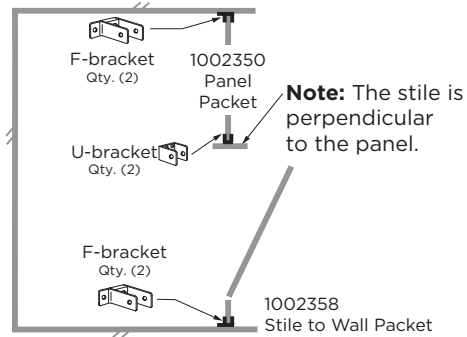
Use #14 x 5/8" screws on brackets-to-panel and stile.

Use 15/16" shoulder screw and 5/8" barrel nut on panel-to-in-line stile.

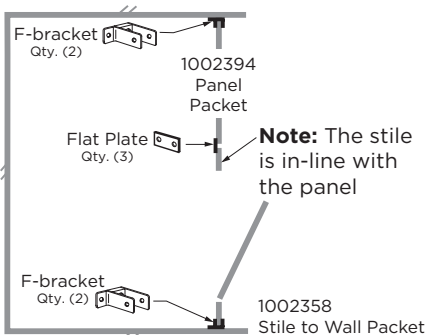
## Front-Entry Corner Layout.



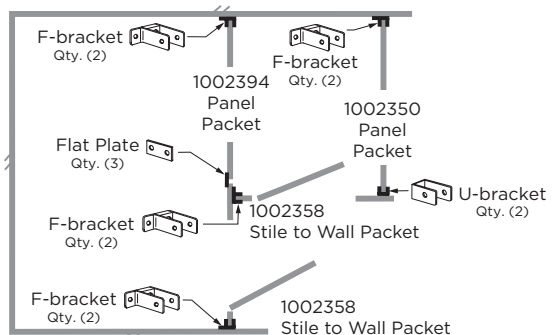
## Floor-Anchored or Ceiling-Hung Alcove Closed Layout.



## Overhead-Braced Alcove Closed Layout.



## Overhead-Braced Alcove Open Layout and Adjoining Front-Entry Stall.



**CHROME HARDWARE**

## STEP 3

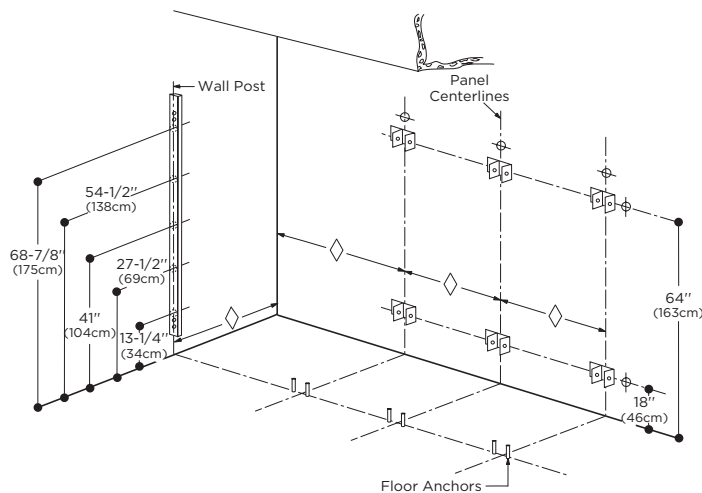
## INSTALL WALL BRACKETS AND WALL POSTS

- Measure and mark the locations of centerlines for all the stiles and panels on walls.
- Using the wall brackets as templates, measure and mark the location of all mounting holes plumb, according to dimensions shown in illustrations (Fig. 3a, 3b, 3c).
- Use #19 (.166) drill bit (4.2mm) x 2" (50mm) pilot hole into adequate wall backing.
- Secure wall brackets with #12 x 2" (M5.5 x 50mm) screws.

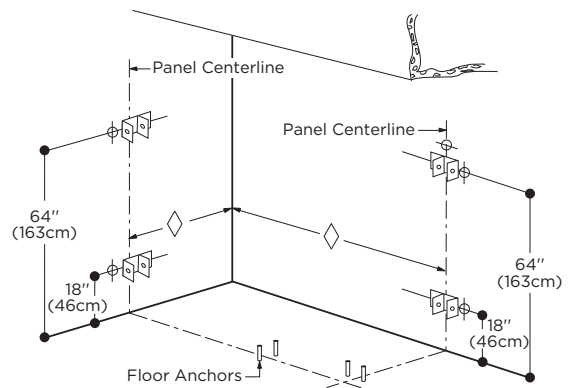
⊕ These mounting points require wall backing.

◇ Obtain Dimension from Bobrick Layout Sheet.

**Fig. 3a: Front-Entry Corner Layout with Wall Post**



**Fig. 3b: Floor-Anchored or Ceiling-Hung Alcove Open Layout. Inswing Door.**

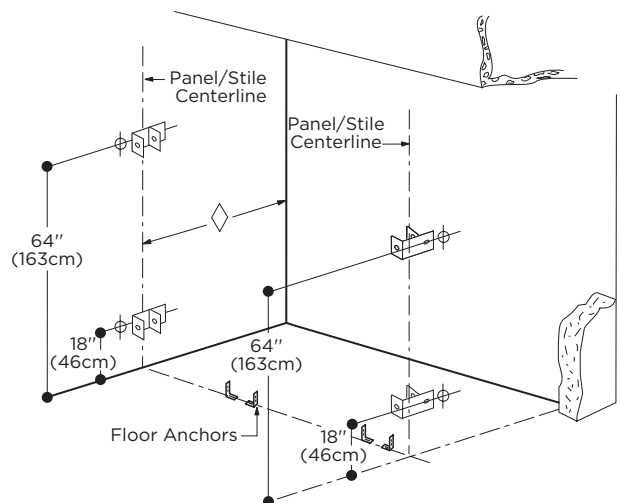


**CHROME HARDWARE**

### WALL POST #1002254

- Determine the location and hand of the 1" X 1-1/2" (25 x 40mm) stainless steel wall post being installed. Outside edge of wall post to be in-line with outside edge of keeping stile. The wall must have adequate backing at mounting location to support door hung in place.
- Install wall post at given height and fasten, plumb in both directions to wall with (5) wall screws provided. Install (2) post end caps and (5) mounting hole plugs.
- Attach door with through bolts provided as you install door(s) on page 13 and 14.

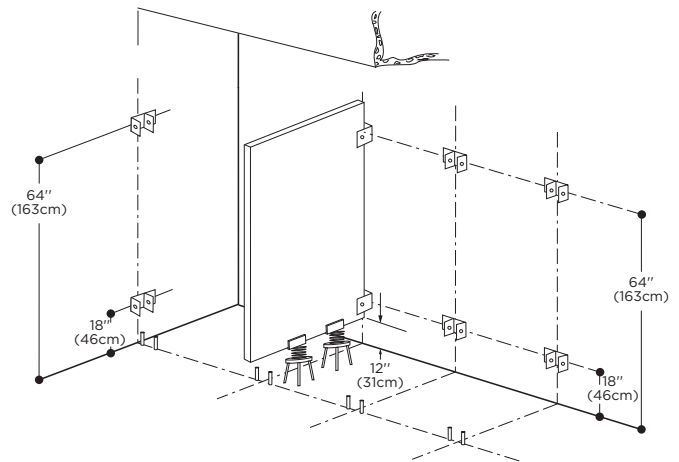
**Fig. 3c: Overhead-Braced Alcove Closed Layout.**



## STEP 4 POSITION PANELS

1. Place adjustable supports in position for each panel to hold them 12" (305mm) above the floor.
2. Place panels on the supports and into their respective wall brackets. *Do not secure panels to wall brackets at this time.*

**Fig. 4: Panel and Adjustable Supports.**

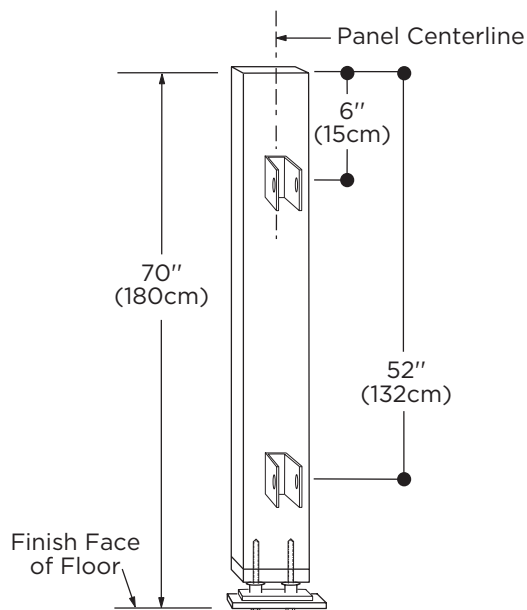


## STEP 5 INSTALL STILE-TO-PANEL BRACKETS

**CAUTION:** Panel centerline is not always on the stile centerline. Refer to Bobrick Layout Sheets for panel offsets.

- A. Measure and mark the centerlines for two (2) U-brackets per stile.
- B. Using U-bracket as a template, mark the location of all mounting holes. Use a 3/16" (5mm) drill bit for 5/8" (16mm) deep pilot holes. *Caution: Do not drill through the stile.*
- C. Secure U-brackets with #14 x 5/8" (6.4 x 16mm) screws.
- D. Alcove in-line stile and panel attachment. (Fig 5b Alcove in-line stile) Use three (3) flat plates on one side of stile, inside stall. Attach flat plate using 15/16" (25mm) shoulder screws and 5/8" barrel nuts.

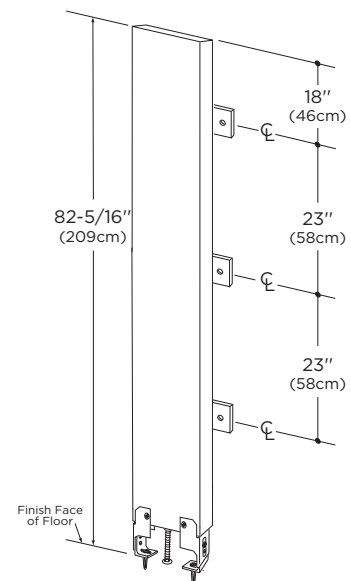
**Fig. 5a: Floor-Anchored (shown) or Ceiling-Hung Bracket Placement.**



For Panel to Stile

Form No. 1540-69 (Revised 07/26/22)

**Fig. 5b: Overhead-Braced Bracket Placement.**



For In-Line Stile and Panel

© 2022 Bobrick Washroom Equipment, Inc.

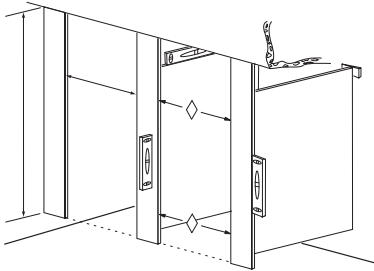
## STEP 6

## INSTALL STILES AND SET DOOR OPENINGS

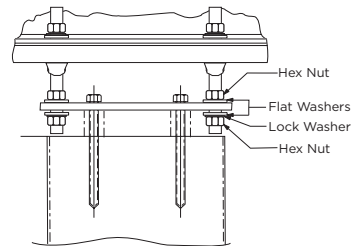
### Floor Anchored and Ceiling Hung Series

- Place the stiles onto the threaded rods of anchors. Add a flat washer, lock washer, and a third hex nut to each threaded rod of floor anchors (these should already be in place on ceiling anchors—refer back to Fig. 2b). *Do not tighten hex nuts at this time.*
- Ensure edge of panel is touching screw heads in brackets on stiles. Using brackets as templates, drill  $3/16"$  (.187) x  $5/8"$  (6.4 x 16mm) pilot holes in panel.
- Fasten brackets to panels with  $\#14$  x  $5/8"$  (6.4 x 16mm) screws or 1002500 for stainless steel option.
- Use level to plumb stiles. Place shims between panels and wall.
- Set door openings to be square, plumb and true per Bobrick Layout Sheets.
- Tighten hex nuts on stile anchoring system.
- Secure panels to wall brackets using  $\#14$  x  $5/8"$  screws or 1002500 for stainless steel option.

**Fig. 6a: Ceiling-Hung Installation**



**Fig. 6b: Front View Ceiling Hung Stile**

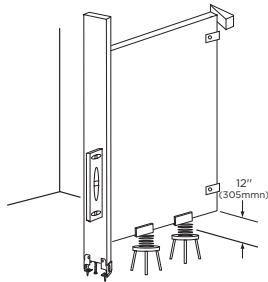


◇ Obtain Dimension from Bobrick Layout Sheet.

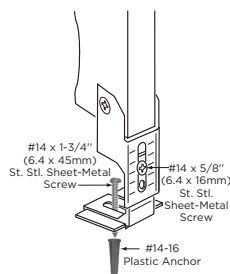
### Overhead Braced Series

- Install leveling bolt into stile.
- While stile is laying flat, rotate leveling bolt so that overall stile dimension is  $82-5/16"$  (209cm) from the head of the leveling bolt to the top edge of stile.  
*Note all floor slopes and adjust stile heights accordingly.*
- Mount stile and install  $\#14$  x  $5/8"$  (6.4 x 16mm) screws through the side of stile bracket into the floor L-bracket. *Leave screws loose.* (Fig. 6d)
- Level and plumb the panels. Using stile U-bracket as a template, drill  $3/16"$  (5mm) pilot holes into the panel.  
*Special note:* U-bracket panel hole should be a minimum of  $1/2"$  (13mm) off edge of panel.
- Fasten U and F-brackets to panels with  $\#14$  x  $5/8"$  (6.4 x 16mm) screws or 1002500 for stainless steel option.
- Level and plumb stile. Tighten stile bracket screws  $\#14$  x  $5/8"$  into floor L-bracket.

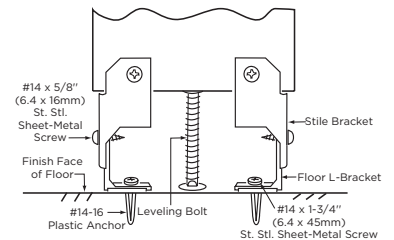
**Fig. 6c: Panel Installation**



**Fig. 6d: Front View Overhead Braced**



**Fig. 6e: Side View Overhead Braced**





## STEP 7 INSTALL HEADRAIL (IF APPLICABLE)

Note: Bobrick provides headrail in 84" (213cm) long sections. Headrail seams must be located over stiles.

- A. Measure wall-to-wall dimension less 1/4" (6mm). For corner application, measure from wall to outside edge of stile less 1/8" (3mm).
- B. Place headrail over top of stiles.
- C. Drill 3/16" (.187) x 3/4" (4.7 x 19mm) pilot holes through interior sides of headrail into stiles. Fasten headrail to stile using #12 x 7/16" (M5.5 x 10mm) screws.
- D. For corner and alcove layouts, cut return headrail 1/8" less than dimension from inner edge of headrail to the back wall.
- E. Using headrail L-bracket as a template, mark the location for mounting holes in back of front headrail and wall.
- F. Drill 3/16" (.187) x 3/4" (4.7 x 19mm) pilot holes. Fasten headrail L-bracket to stile using #12 x 7/16" (M5.5 x 10mm) screws.
- G. Drill 3/16" (.187) x 2" (50mm) pilot holes in wall. Fasten headrail L-bracket to wall using #12 x 2" (M5.5 x 50mm) screws.

- H. Insert headrail return piece into headrail L-bracket. Secure with #12 x 7/16" (M5.5 x 10mm) screws.
- I. For corner layouts, install end cap to finish open headrail end.

Fig. 7a: Alcove Configuration.

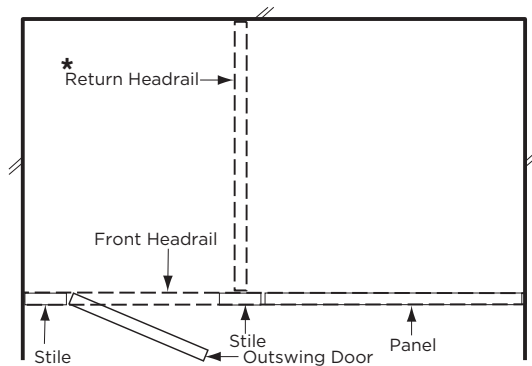


Fig. 7b: Headrail Installation Hardware. Corner Configuration.

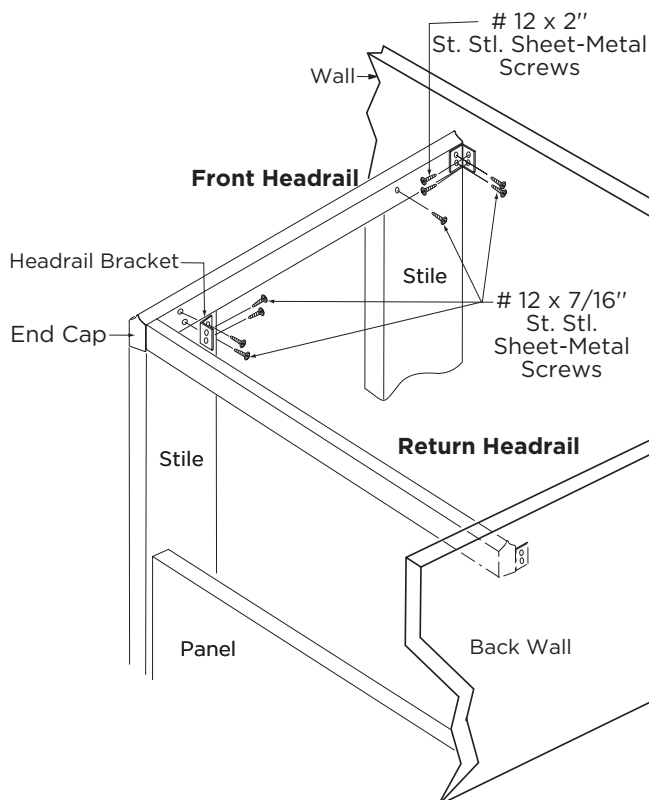
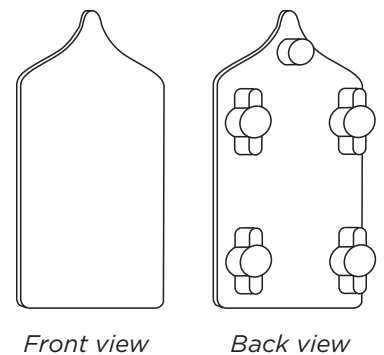


Fig. 7c: Detail of End Cap.

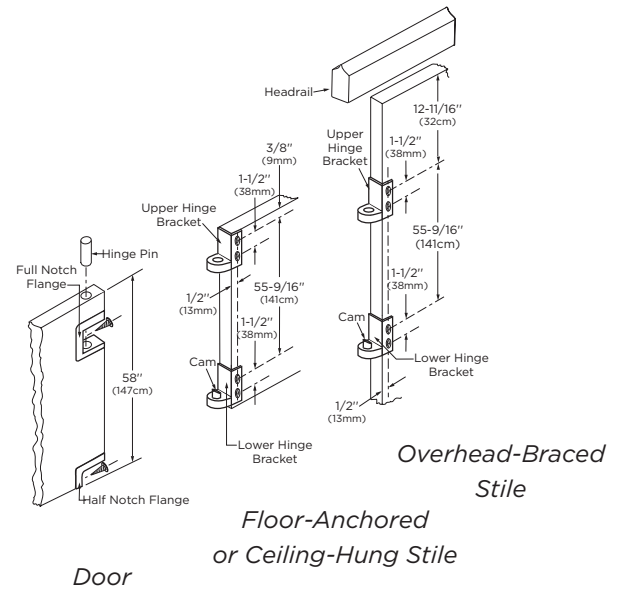


#1002360  
HEADRAIL HDWE PACKET

## STEP 8 INSTALL INSWING DOORS

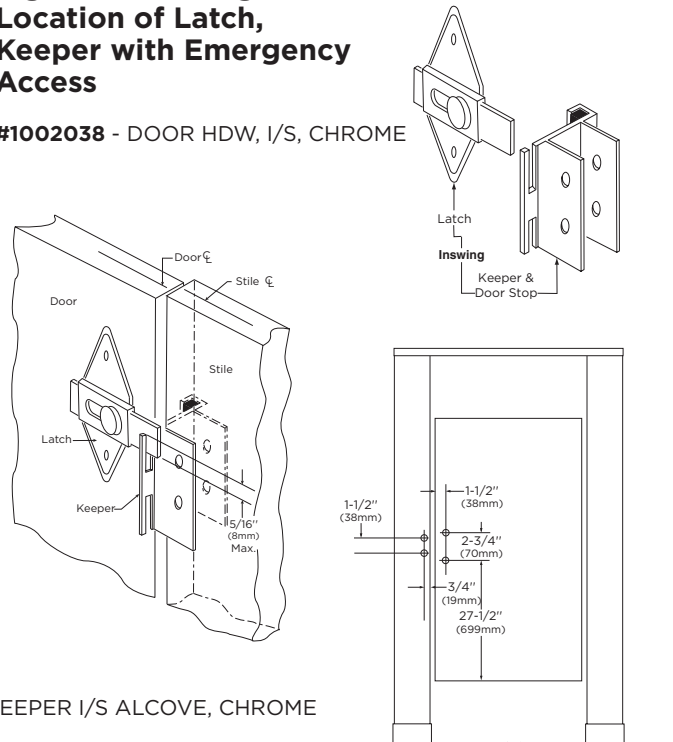
- A. Secure the flanges into the door notches using #10 x 1" (4.8 x 25mm) screws (Fig. 8a).
  - B. Using the hinge brackets as a template, measure and mark the location of mounting holes in the stile. *The 12-11/16" (32cm) dimension shown (Fig. 8a Stile) is to the top edge of the stile to the center of first hinge hole.*
  - C. Use 1/4" (6mm) bit to drill four (4) holes *through* the stile. Through-bolt the hinge brackets using one-way screws and threaded sleeves.
  - D. Mount the door, then drive the hinge pin down through the predrilled hole in the top of door.
  - E. Adjust the cam on the lower hinge bracket so the door closes to desired position, tighten hex nut.
  - F. Mount latch and keeper as shown (Fig. 8b, 8d). Through-bolt latch and keeper using one-way screws and threaded sleeves.
- NOTE:** To ensure \*emergency access locate the keeper so the latch slide is seated no more than 5/16" (7mm) into the keeper slot as shown (Fig. 8b). \*Emergency access is achieved by lifting door.
- F(2). Perpendicular Keeping Stile. Mount latch as shown (Fig. 8c). Through-bolt latch using one-way screws and threaded sleeves. Using keeper as template, place keeper as shown in (Fig. 8c) overhanging edge of stile, to line up with latch slide. Mark location of mounting holes. Secure keeper to stile using #10 x 5/8" screws.
  - G. Mount robe hooks to doors at locations where they can also perform as door bumpers.
  - H. If required, apply a synthetic lubricant to the hinge.
  - I. Clean stalls as required.

**Fig. 8a: Door-to-Stile Hardware.**



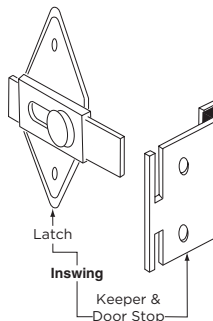
**Fig. 8b: Mounting Location of Latch, Keeper with Emergency Access**

#1002038 - DOOR HDW, I/S, CHROME

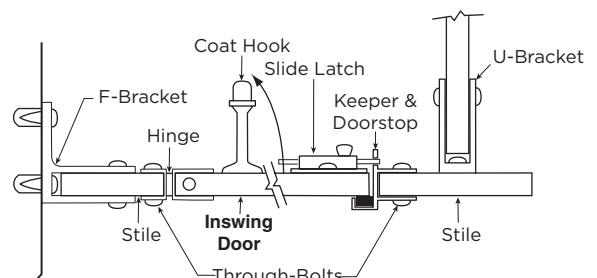


#1002140 - KEEPER I/S ALCOVE, CHROME

**Perpendicular Stile See Fig. 8c**



**Fig. 8d: Top View InLine Stile Mounting Location of Latch and Keeper.**



**Fig. 8c: Perpendicular Stile Mounting Location of Latch and Keeper.**

## STEP 9 INSTALL OUTSWING DOORS

- Secure the flanges into the door notches using #10 x 1" (4.8 x 25mm) screws (Fig. 9a).
- Using the hinge brackets as a template, measure and mark the location of mounting holes in the stile. *The 12-11/16" (32cm) dimension shown (Fig. 9a Stile) is to the top edge of the C of first hinge hole.*
- Use 1/4" (6mm) bit to drill four (4) holes *through* the stile. Through-bolt the hinge brackets using one-way screws and threaded sleeves.
- Mount the door, then drive the hinge pin down through the predrilled hole in the top of door.
- Adjust the cam on the lower hinge bracket so the door closes to desired position, then tighten the hex nut.
- Mount latches and keepers as shown (Fig. 9b, 9d). Through-bolt latches and keepers using one-way screws and threaded sleeves.

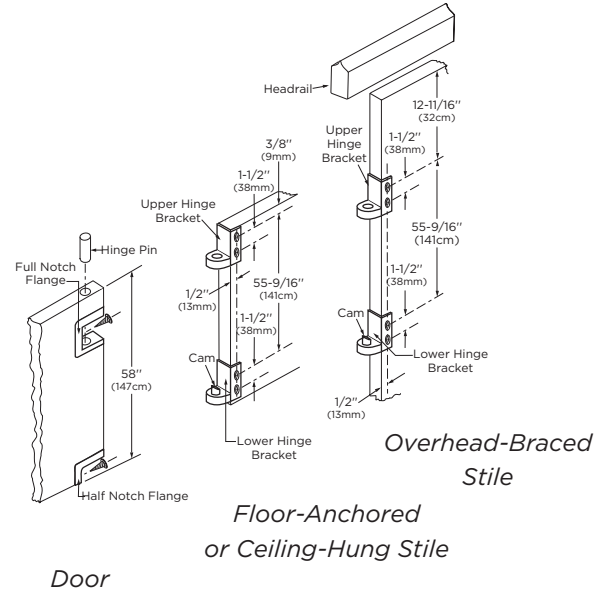
**NOTE:** To ensure \*emergency access locate the keeper so the latch slide is seated no more than 5/16" (7mm) from the top of the keeper. (See Fig.9b). \*Emergency access is achieved by lifting the door. **NOTE:** On outswing door, install the handle on outside of door opposite the latch Using the door handle as a template on the outside of door, mark location for top hole in handle 31-5/8" (803mm) up from the bottom edge of door and 2" (50mm) from side edge of door. Mark location for bottom hole in handle. Drill two (2) 3/16" (5mm) diameter holes through door. Attach door handle to outside of door using #8-32 x 1-1/4" one way screws provided.

- Perpendicular Keeping Stile. Mount latch as shown (Fig. 9c). Through-bolt latch using one-way screws and threaded sleeves.

**NOTE:** Using keeper as template, place keeper as shown in (Fig. 9c) to line up with latch slide. Mark location of mounting holes. Secure keeper to stile using #10 x 5/8" screws.

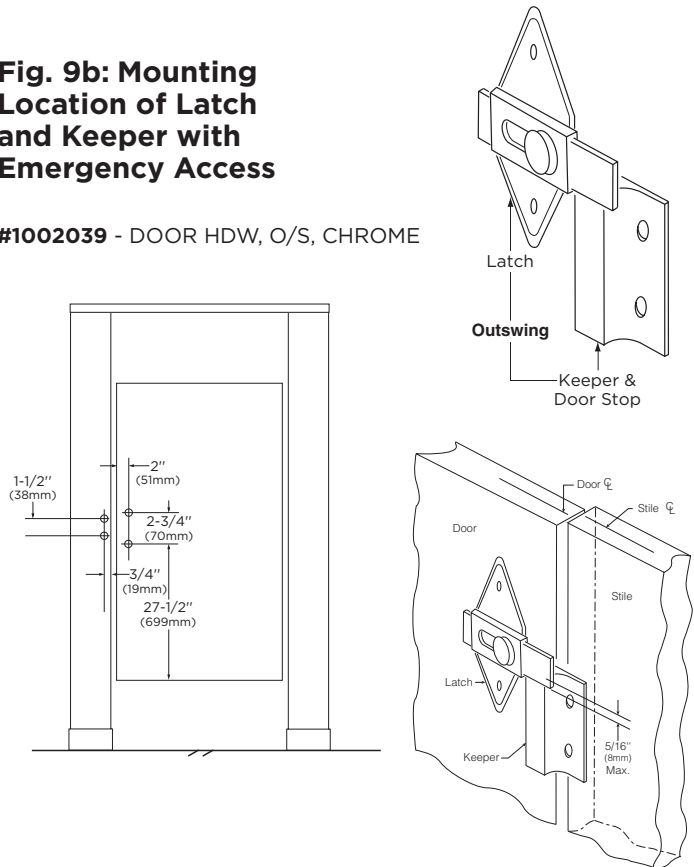
- Mount robe hooks to doors at locations where they can also perform as door bumpers. **NOTE:** On outswing doors, position robe hook per local barrier-free codes.
- If required, apply a synthetic lubricant to the hinge.
- Clean stalls as required.

**Fig. 9a: Door-to-Stile Hardware.**



**Fig. 9b: Mounting Location of Latch and Keeper with Emergency Access**

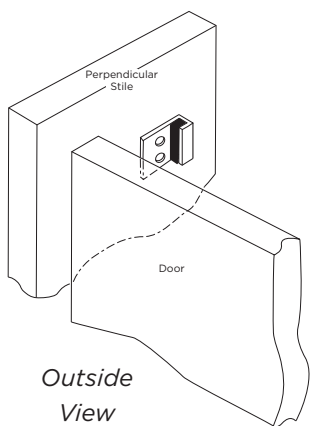
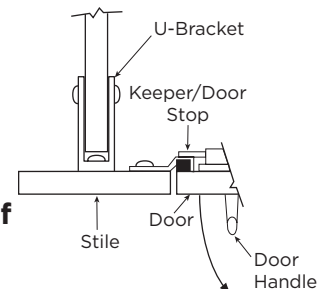
#1002039 - DOOR HDW, O/S, CHROME



**Perpendicular Stile to Panel See Fig. 9c**

#1002144 - KEEPER O/S ALCOVE, CHROME

**Fig. 9d: Top View In-Line Stile Mounting Location of Latch and Keeper.**

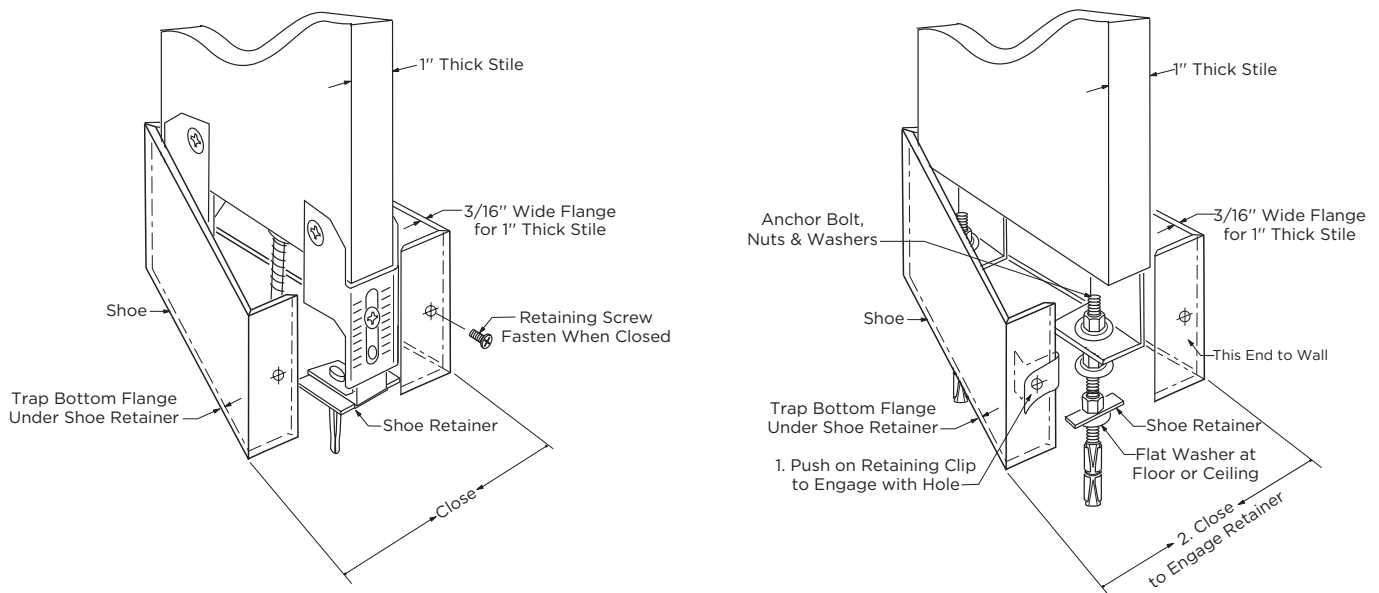


**Fig. 9c: Perpendicular Stile Mounting Location of Keeper.**

## STEP 10 INSTALL SHOES

- A. Locate proper width shoe for stile.
- B. Confirm shoe retainer (#1002413 for Overhead-Braced Series (Fig. 10a) or #1002186 for Floor-Anchored or Ceiling-Hung Series (Fig. 10b)) is installed on anchor bolt next to flat washer closest to floor or ceiling. For anchor assembly detail, reference diagram on Page 4.
- C. Shoes accommodate 1" thick or 3/4" thick stiles. For 1" thick stiles, orient shoe with 3/16" wide flange return against faces and edge of stile.
- D. Standard Stile Installation - See Fig. 10  
Open end of shoe and slide onto bottom of stile, trapping bottom flange under shoe retainer. Close open end of shoe, overlapping so holes are aligned. Install flat head retaining screw through double thickness of material to close shoe.
- E. Remove protective covering and wipe shoe clean.

**Fig. 10: Standard Stile Installation. (Overhead Braced Anchor Shown)**



REPLACEMENT SHOE GUIDE			
Stile Width	Bobrick Part Number	Stile Width	Bobrick Part Number
3"	1002175	10"	1002179
4"	1002176	12"	1002180
5"	1002184	16"	1002181
6"	1002177	18"	1002196
7"	1002197	20"	1002182
8"	1002178	24"	1002183

## STEP 11 FINISHING AND CLEANUP

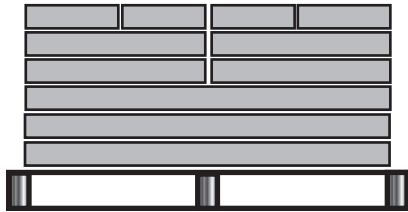
- A. Remove any exposed labels from the components of toilet compartments.
- B. Clean surfaces as needed. *CAUTION: Do not use cleaners containing acid on Bobrick toilet compartments. For example, tile cleaners containing acid may attack the stainless steel hardware. For Bobrick recommendations, refer to Bobrick Form Nos. TB-21 and TB-60.*

## Important Toilet Partition Storage and Handling Information

Store in a clean, dry area. Do not store outside.  
Move material to installation area 72 hours before installation.  
Always store material flat with weight evenly supported.

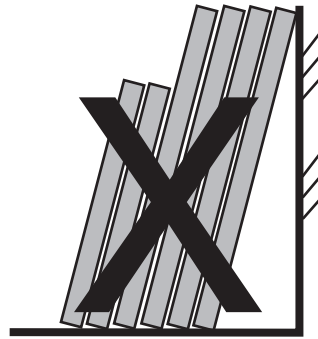
### Toilet Partition Stacking

**Do This**



**Stack Flat**

**Don't Do This**



**Stack Upright**

Failure to follow these instructions may result in warped material which is not covered by Bobrick's warranty.



**BUILDING VALUE SINCE 1906**

**BOBRICK.COM**

**In the United States: BOBRICK WASHROOM EQUIPMENT, INC.**

200 Commerce Drive, Clifton Park, NY 12065-1350, Telephone: (518) 877-7444 • FAX: 518-877-5029  
6901 Tujunga Ave, North Hollywood, CA 91605-6213: (818) 982-9600 • FAX: 818-503-1102  
or email [customerservice@bobrick.com](mailto:customerservice@bobrick.com)

**In Canada: BOBRICK WASHROOM EQUIPMENT COMPANY**

45 Rolark Drive, Scarborough, Ontario M1R 3B1 • FAX: (877) 423-8555

1540-69



7 16954 00914 2