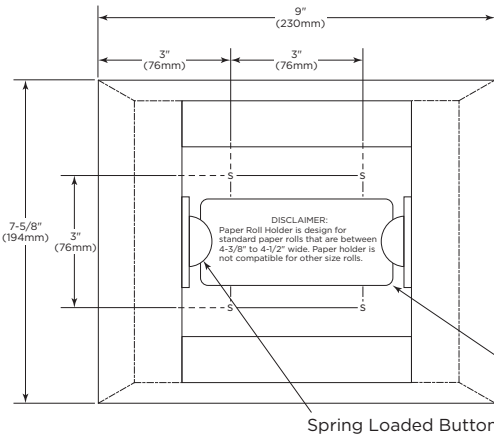
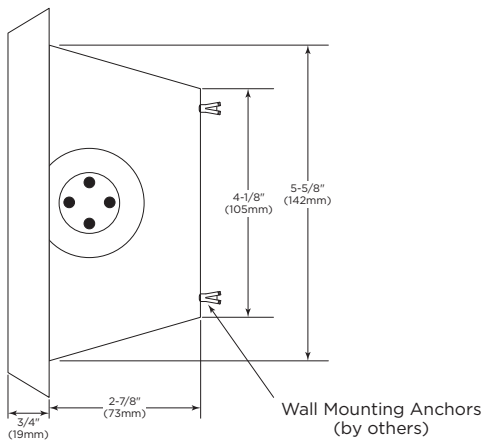
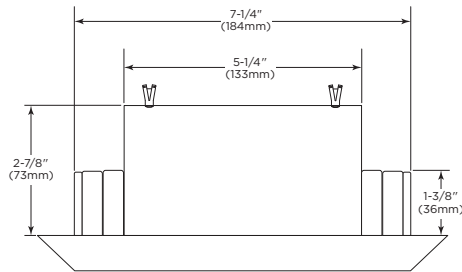




Technical Data

**LIGATURE-RESISTANT
SPINDLE BUTTON SEMI-
RECESSED TOILET PAPER
HOLDER**

B-9882



DISCLAIMER:
Paper Roll Holder is designed for standard paper rolls that are between 4-3/8" to 4-1/2" wide. Paper holder is not compatible for other size rolls.

Toilet Paper Disclaimer Label

Spring Loaded Buttons

MATERIALS:

Paper holder housing fabricated from 16-gauge, type 304 stainless steel with all exposed surfaces powder coated white.

OPERATION:

Units hold one toilet tissue roll between 4-3/8" and 4-1/2" wide in diameter. Paper holder is not compatible for other size rolls. This product is designed to decrease the probability that it may be utilized as an apparatus for ligature. It is not a replacement for professionals who are trained in the proper evaluation, management, and supervision of persons at risk of suicide.

INSTALLATION:

Installation required a rough wall opening approximately 7-1/4" X 6-1/4" x 3" deep to accommodate tissue paper holder. Using the product as a template, locate mounting points. Drill holes for wall anchors and install the anchors (not provided). Secure the tissue paper holder using the four (4) 1/4" UNC screws (provided) and one (1) 5/32" hex bit for center reject pin (provided).

SPECIFICATION:

Semi-recessed toilet tissue holder shall be 16-gauge, type 304 stainless steel with all exposed surfaces powder coated white. Unit shall dispense one standard-core toilet tissue roll up to 4-1/2" diameter. Spring loaded buttons are designed to release toilet tissue deter use as a point of ligature.

Ligature-Resistant Spindle Button Semi-Recessed Toilet Paper Holder shall be Model B-9882 of Bobrick Washroom Equipment, Inc., Clifton Park, New York; Jackson, Tennessee; Los Angeles, California; Bobrick Washroom Equipment Company, Scarborough, Ontario; Bobrick Washroom Equipment Pty. Ltd., Australia; and Bobrick Washroom Equipment Limited, United Kingdom.