



## Technical Data

# DuraLineSeries<sup>®</sup>

## Compact Grade Laminate Extended Privacy Partitions

# 3080G.67P SERIES

### MATERIAL STANDARD:

**Stiles, Panels and Doors** — Stiles and doors are 3/4" (19mm) thick, panels are 1/2" (13mm) thick solidly fused plastic laminate with matte-finish melamine surfaces, colored face sheets, and black phenolic-resin core that are integrally bonded. Edges are black.

**Leveling** — 3/16" (5mm) thick, corrosion-resistant, chromate-treated, double zinc-plated steel angle leveling bar bolted to stile; furnished with 3/8" (10mm) diameter threaded rods, hex nuts, lock washers, flat washers, spacer sleeves, expansion anchors, and shoe retainers.

**Inserts** — Factory-installed metal-to-metal contact. Vandal-resistant Pin-in-head Torx Screws.

**Gapless Privacy** — No sightlines with gap-free interlocking doors and stiles routed 5/16" (7.6mm) inches from the edge to allow for overlap.

### MATERIALS OPTION:

**Class A Option** — Units fabricated with FunderMax<sup>®</sup> Compact Grade Laminate (CGL) will meet ICC, NFPA Class A, ASTM E-84 Interior Wall and Ceiling Finish Classification: flame spread 25, smoke developed 90.

### CONFIGURATION:

Overhead-Braced (OB)

Floor-to-Ceiling (FC)

### HEIGHT:

**Door and Panel** — Extended Privacy (E) 73" (1854mm) to 96" (2438mm) with 1" (25.4mm), 4 1/2" (114mm), 9" (229mm), and 12" (305mm) floor clearance and 1" (25.4mm) minimum clearance from headrail.

### HARDWARE STANDARD:

**Headrail** — Overhead-Braced (OB) extruded anodized aluminum. Enclosed construction with sloping top. Face has raised grip-resistant edge.

**Door and Mounting Hardware** — Door keepers, coat hooks, and mounting brackets are constructed 18-8, Type-304, heavy-gauge stainless steel with satin finish.

**Shoe** — 18-8, Type-304, 22-gauge (0.8mm) stainless steel with satin finish; 4" (102mm) high. Patented one-piece shoe is open-ended, and may be mounted blind against wall using shoe clip fastener on wall side.

**Occupancy Indicator Latch** — Bobrick (#1002612) indicator latch with emergency access feature. Latch to be drilled on site.

**Barrel Hinges** — Four (4) Barrel-type hinges with adjustable cam for fully closed or partially open.

**Continuous Panel Bracket** — One-piece, full-height U-channel and angle bracket are 18 gauge (1.2mm). The length of continuous brackets are based on the panel height and floor clearance. **Note: The bracket length specified for panel attachment also applies to stile to wall attachment.**

### INSTALLATION:

Bobrick installation instructions are packed with each shipment. Available in advance upon request or online at [www.bobrick.com](http://www.bobrick.com).

### GUARANTEE:

Bobrick toilet partition panels, doors and stiles are warranted for a period of 25 years against breakage, corrosion, delaminating and defects in workmanship from the date of purchase for the periods set forth (this limited warranty is conditioned on the toilet partitions being properly installed, used and serviced). Any products returned to Bobrick under this guarantee will be repaired or replaced at no charge.

### SPECIFICATION:

Compact Grade Laminate (CGL) shall be \_\_\_\_\_ (insert configuration OB, FC). Stiles, panels and doors shall be constructed of solidly fused plastic laminate with matte-finish melamine surfaces, colored face sheets, and black phenolic-resin core that are integrally bonded; and covered by a 25-year limited warranty against breakage, corrosion, and delamination.

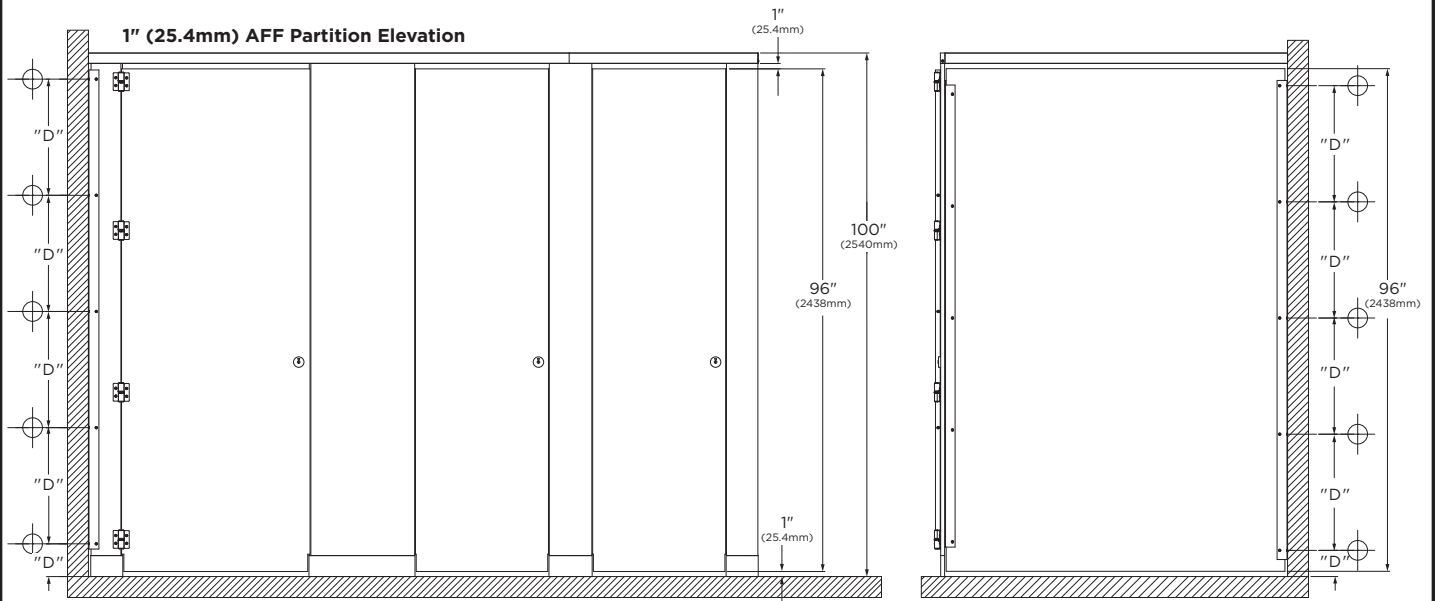
Stiles and doors shall be 3/4" (19mm) thick and feature Gapless Privacy interlocking edges; panels shall be 1/2" (13mm) thick. All units shall meet ICC, NFPA Class B, ASTM E-84 Interior. Wall and Ceiling Finish Classification: flame spread 30, smoke development 55. Stiles shall have leveling device that is concealed by a one-piece, Type-304, satin-finish stainless steel shoe that is 4" (102mm) high. Stiles, panels and doors shall be \_\_\_\_\_ (insert color name and number from current Bobrick Catalog). Headrails for overhead-braced compartments shall be anodized aluminum with satin finish.

Occupancy indicator latch to be Bobrick (#1002612). Toilet compartment door is locked from inside by sliding door latch into keeper. A locked compartment may be opened from outside by rotating slotted center on the indicator to disengage latch from keeper. Combination coat hook and bumper reduces damage from door inside compartment.

### NOTES:

1. Where water from showers or hose-down cleaning comes in contact with partitions, Bobrick CL partitions are recommended.
2. Wall backing is required to secure the mounting brackets of panels, stiles, and wall posts. For suggested wall backing, see Bobrick Advisory Bulletin TB-46.
3. Bobrick stainless steel partition-mounted washroom accessories are available for mounting in panels between two compartments. See current Bobrick Restroom Accessory Catalog for description of accessories. Cutouts in panels can be pre-cut for Bobrick models at factory if location and size of all cutouts and Bobrick model numbers are furnished at time of order.
4. When the cam has been set at the desired free resting position, "either closed or open" the top of the affixed components will be aligned.

## OVERHEAD-BRACED (OB)



⊕ These mounting points require wall backing. Bottom of door corners are notched to clear shoes.  
For suggested backing and mounting methods refer to Bobrick Advisory Bulletin TB-46 on Bobrick.com.

### CONTINUOUS BRACKET LENGTH GUIDE

For mounting points dimensions, identify the length ("L") of the bracket within the panel height range, refer to the table below.

**Use formula: "D" = ("L" - 2.75) / 5**

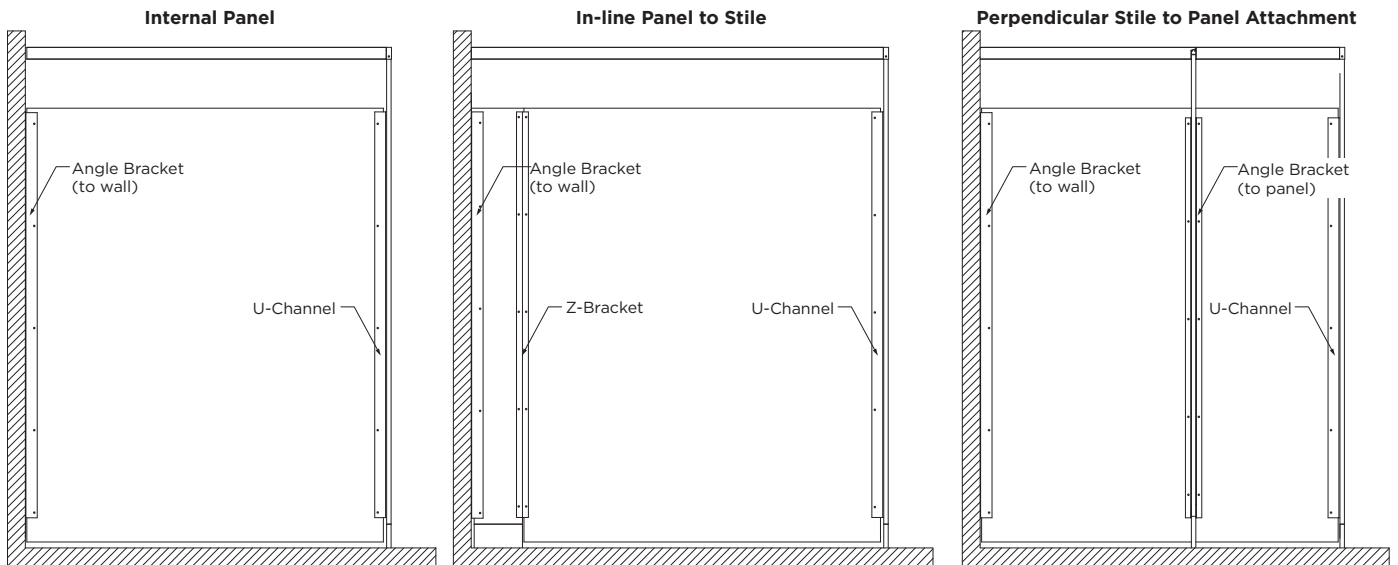
#### Chart Applicable for 1" (25.4mm) Floor Clearance Only:

Panel Height Range	Angle Bracket (to wall) Length ("L")	U-Channel Length, Z-Bracket Length & Angle Bracket (to panel) Length ("L")
73" (1854mm) - 78" (1981mm)	68 1/4" (1734mm)	68 1/4" (1734mm)
79" (2007mm) - 85" (2159mm)	75 1/4" (1911mm)	75 1/4" (1911mm)
86" (2184mm) - 91" (2311mm)	82 1/4" (2089mm)	82 1/4" (2089mm)
92" (2337mm) - 96" (2438mm)	88 1/4" (2242mm)	88 1/4" (2242mm)

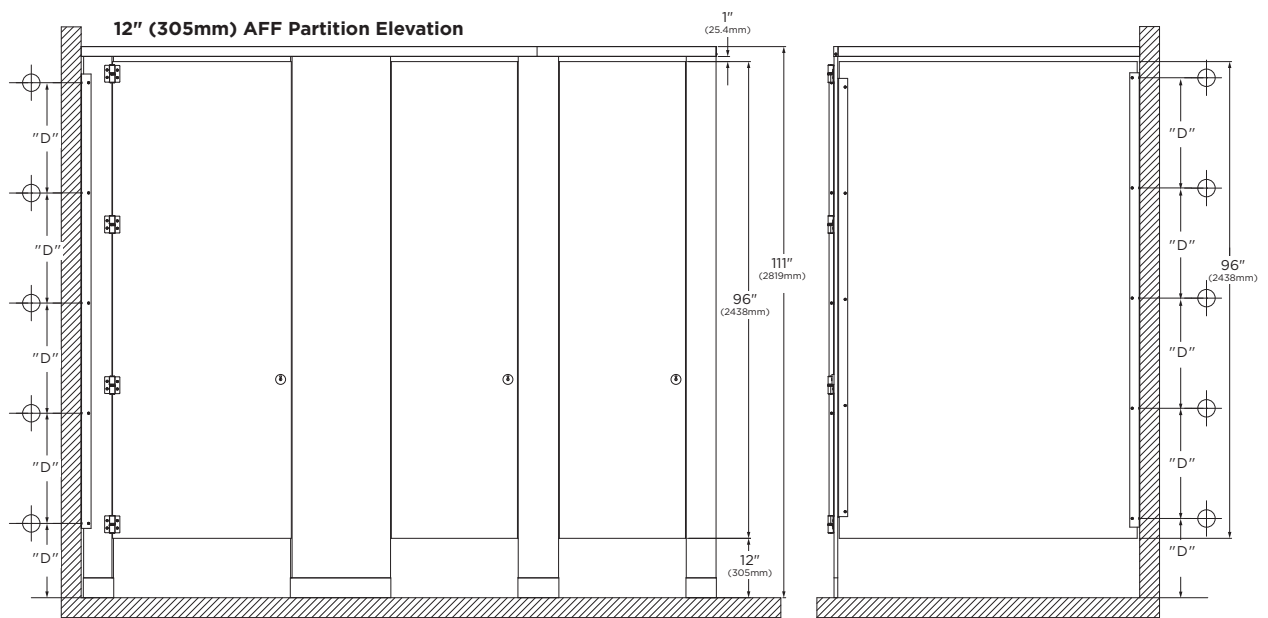
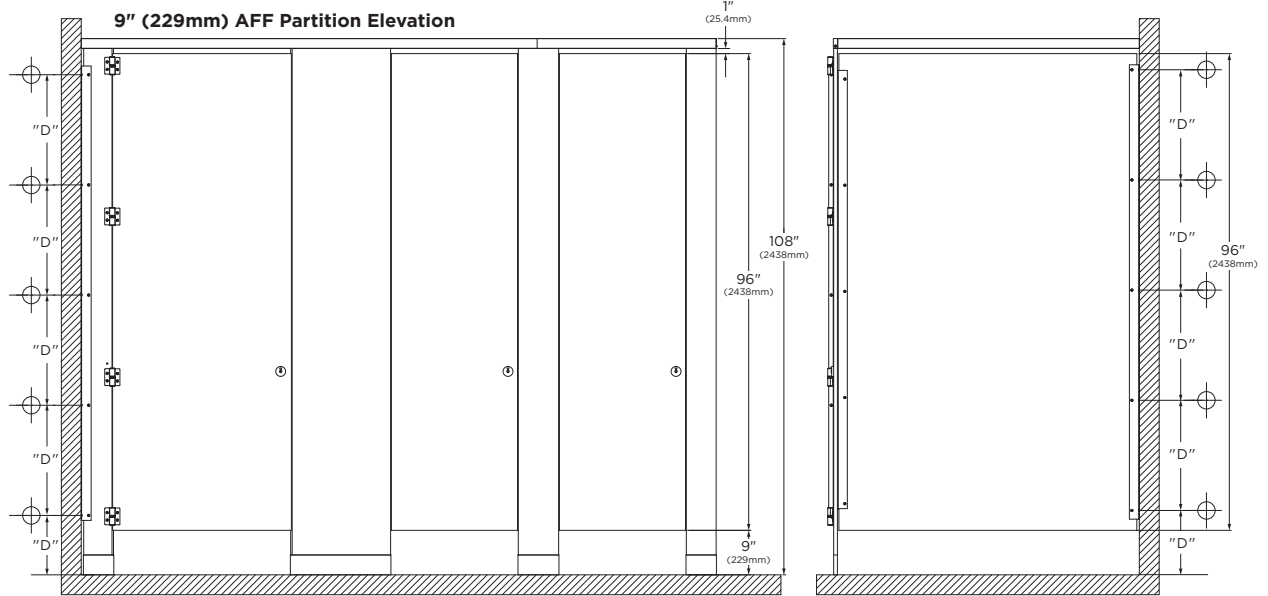
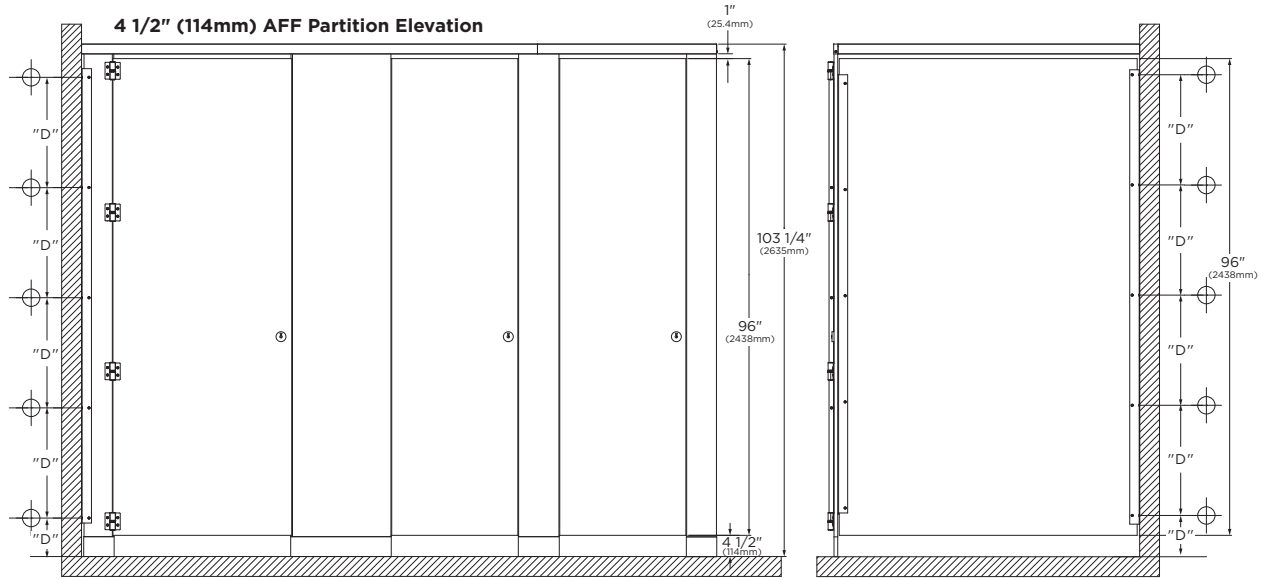
#### Chart Applicable for 4 1/2" (114mm), 9" (229mm) and 12" (305mm) Floor Clearance:

Panel Height Range	Angle Bracket (to wall) Length ("L")	U-Channel Length, Z-Bracket Length & Angle Bracket (to panel) Length ("L")
73" (1854mm) - 78" (1981mm)	71 1/2" (1816mm)	71 1/2" (1816mm)
79" (2007mm) - 85" (2159mm)	78 1/2" (1994mm)	78 1/2" (1994mm)
86" (2184mm) - 91" (2311mm)	85 1/2" (2172mm)	85 1/2" (2172mm)
92" (2337mm) - 96" (2438mm)	91 1/2" (2324mm)	91 1/2" (2324mm)

### PANEL CONFIGURATION

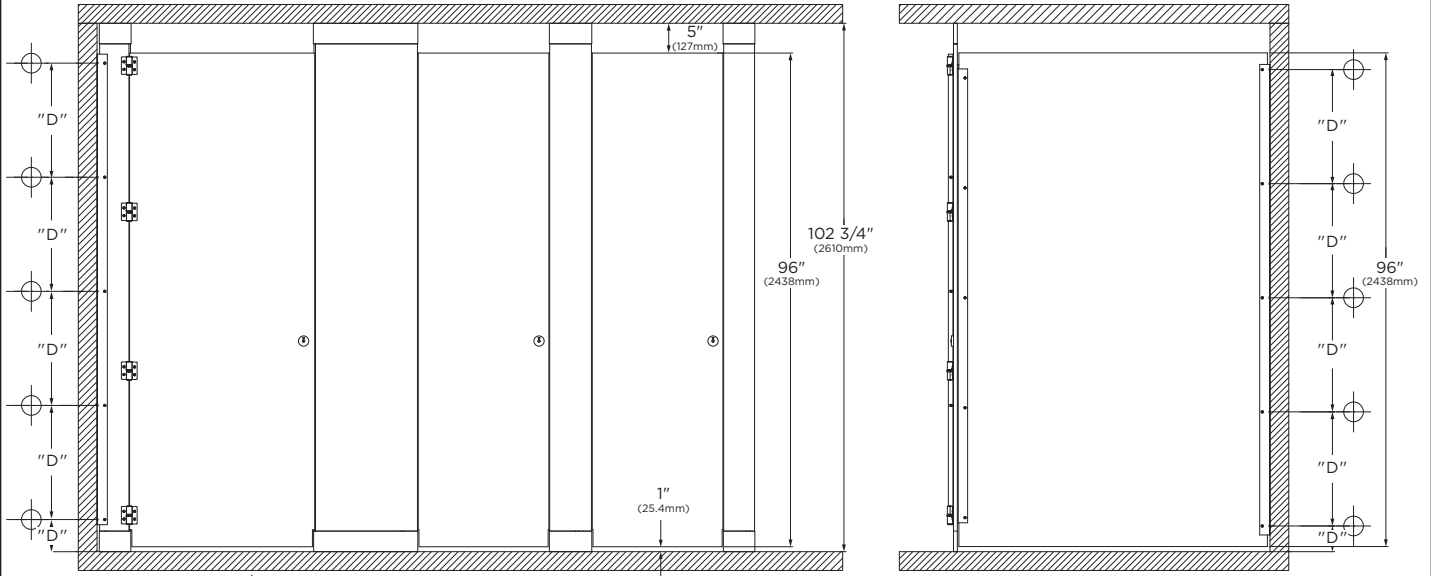


## OVERHEAD-BRACED (OB)



## FLOOR-TO-CEILING (FC)

### 1" (25.4mm) AFF Partition Elevation



⊕ These mounting points require wall backing. Bottom of door corners are notched to clear shoes.  
For suggested backing and mounting methods refer to Bobrick Advisory Bulletin TB-46 on Bobrick.com.

### CONTINUOUS BRACKET LENGTH GUIDE

For mounting points dimensions, identify the length ("L") of the bracket within the panel height range, refer to the table below.

**Use formula: "D" = ("L" - 2.75) / 5**

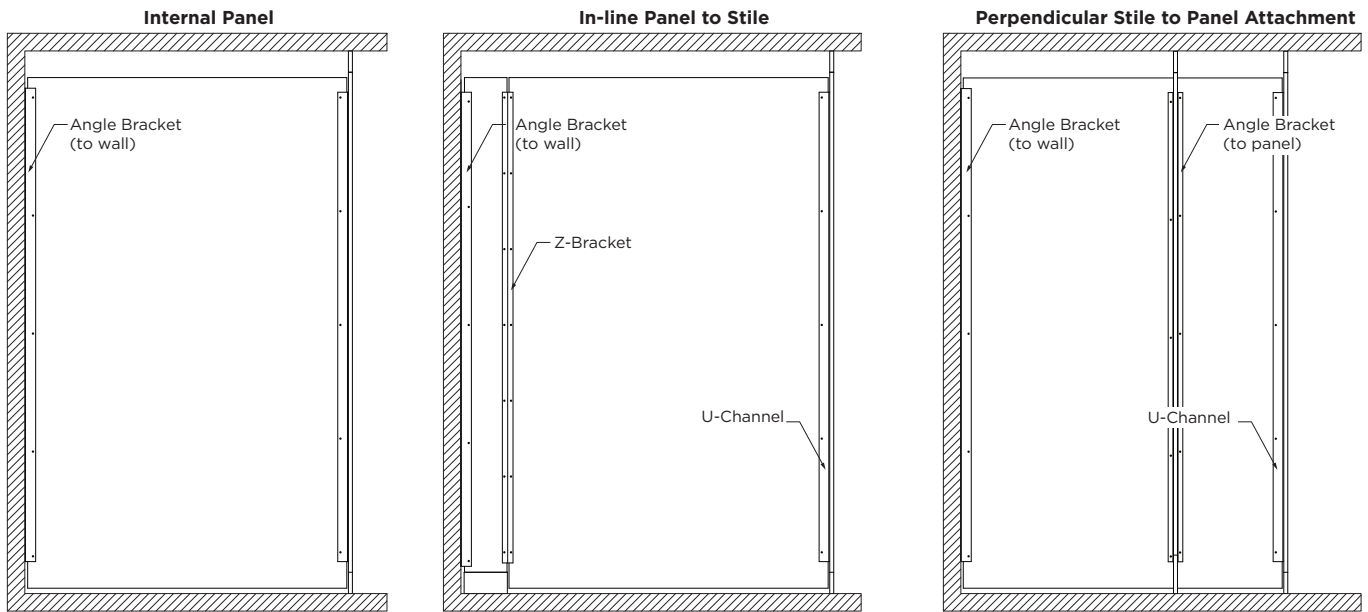
#### Chart Applicable for 1" (25.4mm) Floor Clearance Only:

Panel Height Range	Angle Bracket (to wall) Length ("L")	U-Channel Length, Z-Bracket Length & Angle Bracket (to panel) Length ("L")
73" (1854mm) - 78" (1981mm)	68 1/4" (1734mm)	68 1/4" (1734mm)
79" (2007mm) - 85" (2159mm)	75 1/4" (1911mm)	75 1/4" (1911mm)
86" (2184mm) - 91" (2311mm)	82 1/4" (2089mm)	82 1/4" (2089mm)
92" (2337mm) - 96" (2438mm)	88 1/4" (2242mm)	88 1/4" (2242mm)

#### Chart Applicable for 4 1/2" (114mm), 9" (229mm) and 12" (305mm) Floor Clearance:

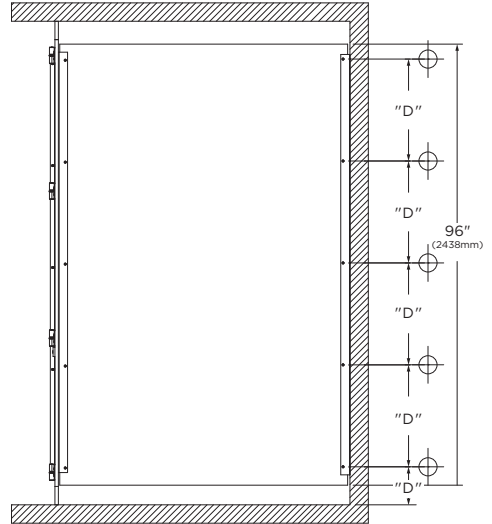
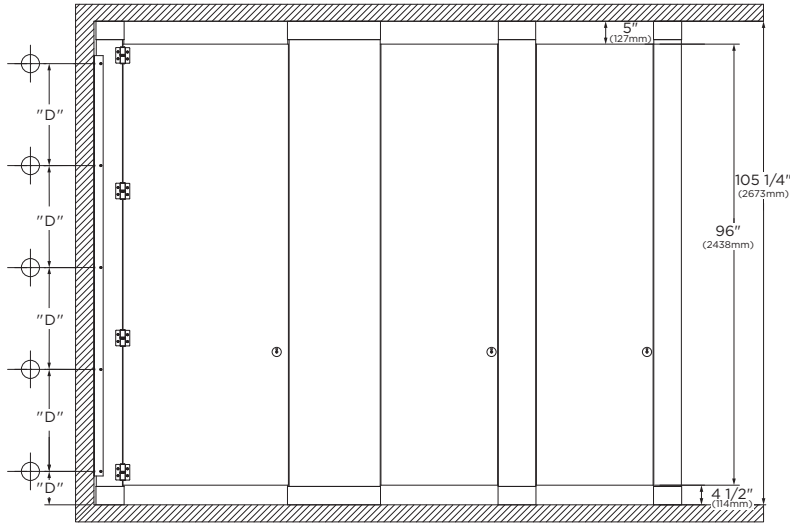
Panel Height Range	Angle Bracket (to wall) Length ("L")	U-Channel Length, Z-Bracket Length & Angle Bracket (to panel) Length ("L")
73" (1854mm) - 78" (1981mm)	71 1/2" (1816mm)	71 1/2" (1816mm)
79" (2007mm) - 85" (2159mm)	78 1/2" (1994mm)	78 1/2" (1994mm)
86" (2184mm) - 91" (2311mm)	85 1/2" (2172mm)	85 1/2" (2172mm)
92" (2337mm) - 96" (2438mm)	91 1/2" (2324mm)	91 1/2" (2324mm)

### PANEL CONFIGURATION

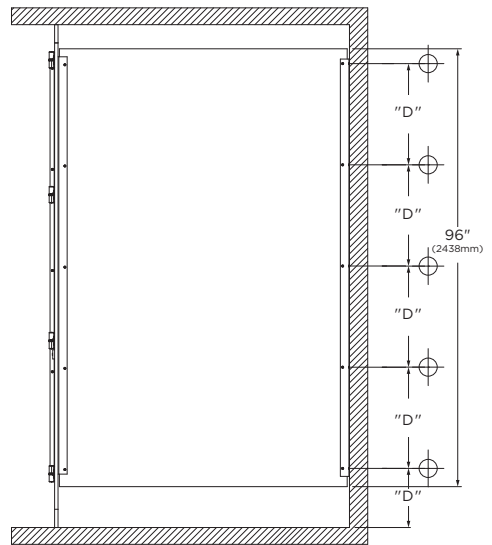
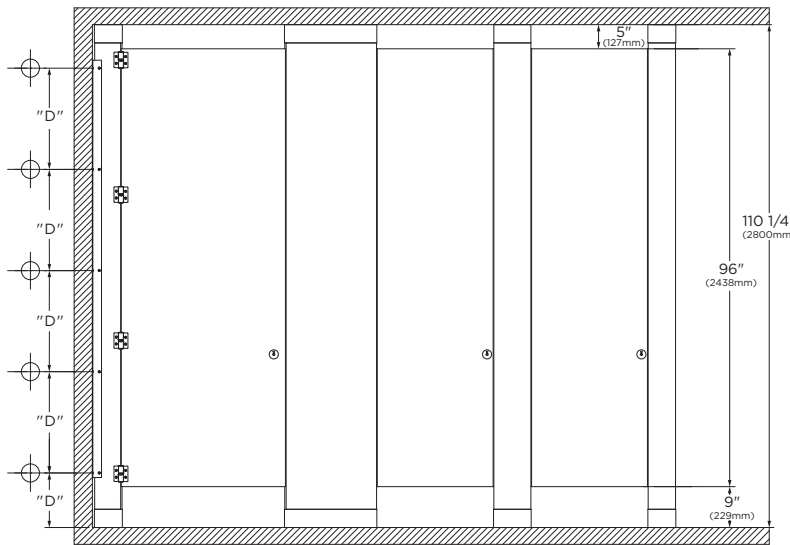


FLOOR-TO-CEILING (FC)

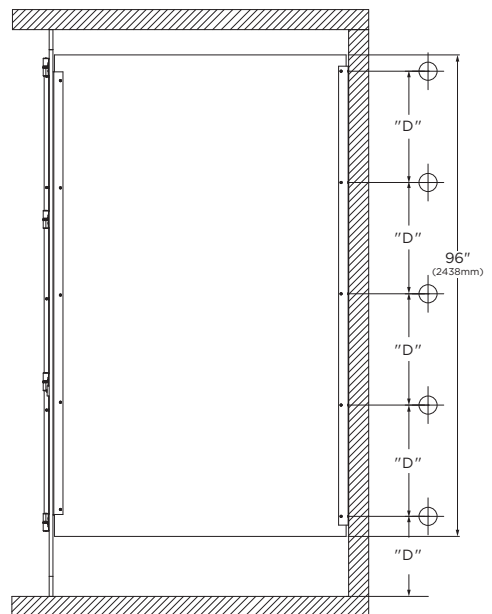
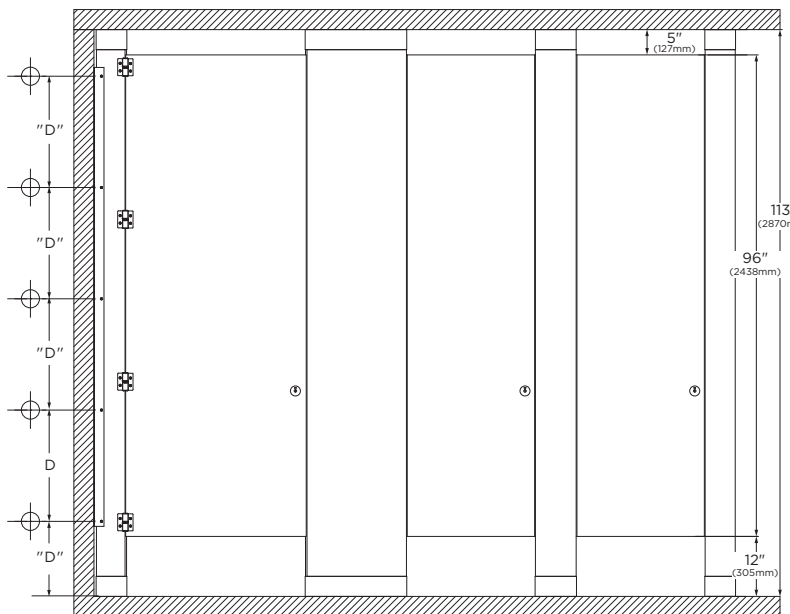
4 1/2" (114mm) AFF Partition Elevation



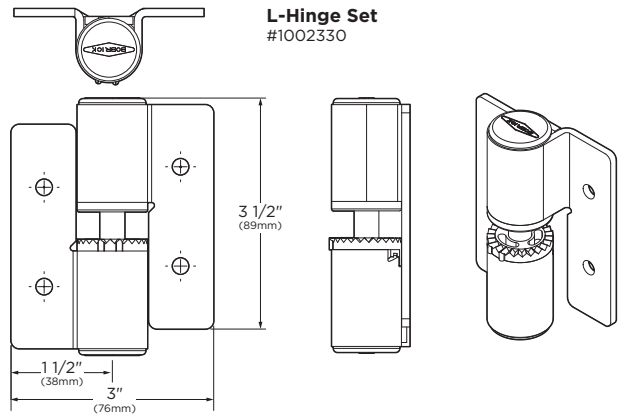
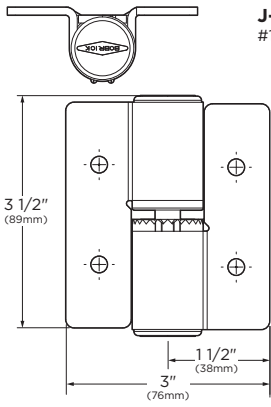
9" (229mm) AFF Partition Elevation



12" (305mm) AFF Partition Elevation

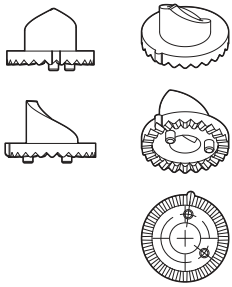


## BARREL HINGES

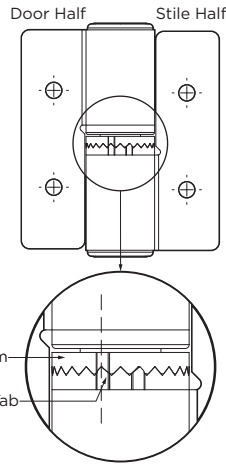


## HINGE CAM SETTINGS

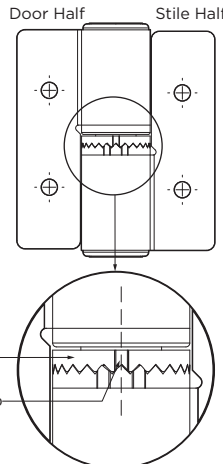
**Hinge Cam**  
#1002156



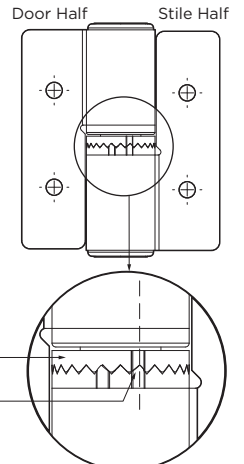
**Door Beyond Closed Position**



**Door Normal Closed Position**

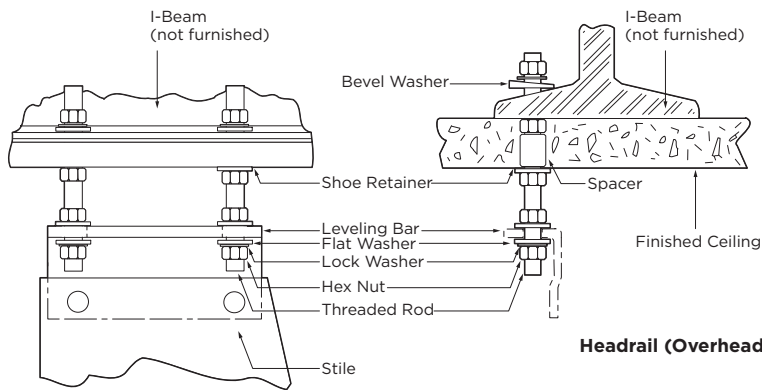


**Door Remain Open 15 Degrees**

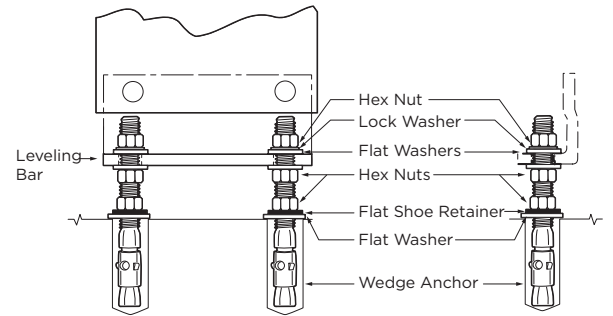


## TYPICAL INSTALLATION DETAILS

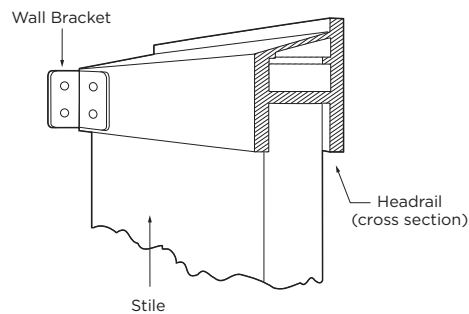
**Ceiling Leveling Device**



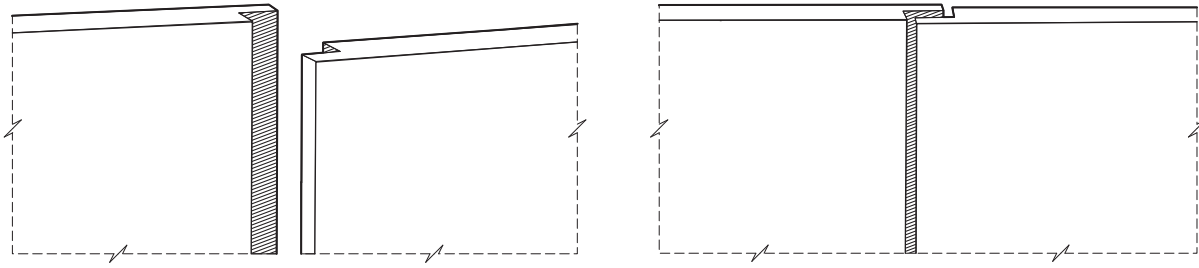
**Floor Leveling Device**



**Headrail (Overhead-Braced)**

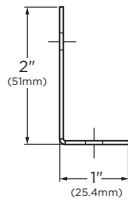


## GAP FREE DOORS & STILES



## INSTALLATION BRACKETS

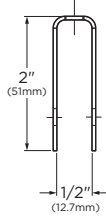
**Angle Bracket**  
#319618-7



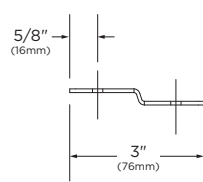
This Side to Material

This Side to Wall or Panel

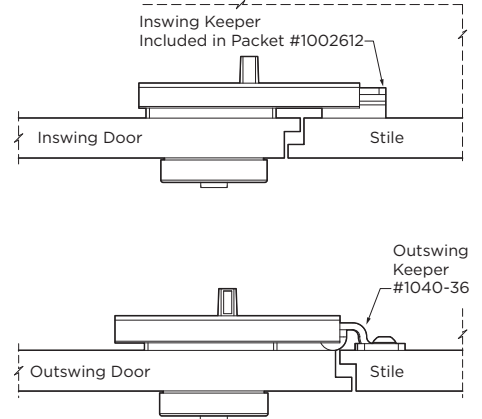
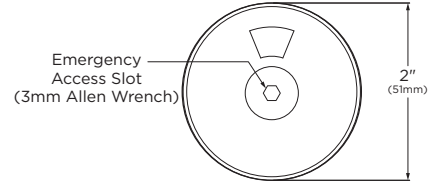
**U-Channel**  
#319618-8



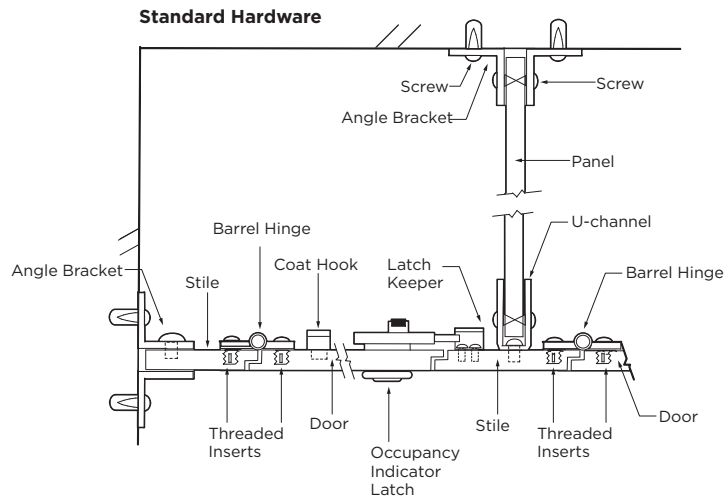
**Z-Bracket**  
#319618-6



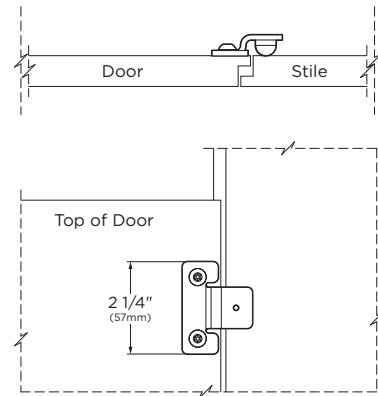
## OCCUPANCY INDICATOR LATCH #1002612



## HARDWARE DETAILS



**Door Stop**  
#1040-36



Compact Grade Laminate (CGL) Extended Privacy Partitions \_\_\_\_\_ (insert configuration OB, FC) of Bobrick Washroom Equipment, Inc., Clifton Park, New York; Jackson, Tennessee; Los Angeles, California; Bobrick Washroom Equipment Company, Scarborough, Ontario; Bobrick Washroom Equipment Pty. Ltd., Australia; and Bobrick Washroom Equipment Limited, United Kingdom.