

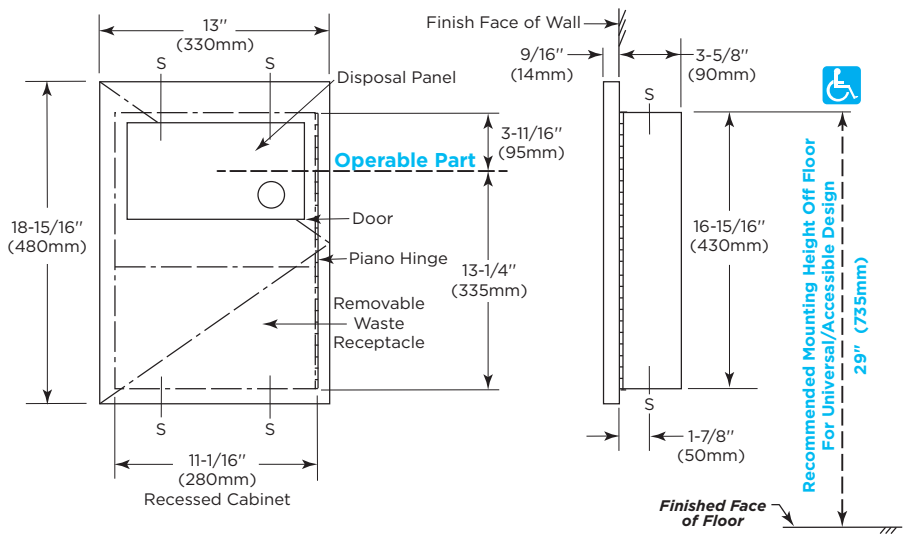


Technical Data

RECESSED SANITARY NAPKIN DISPOSAL

B-35303

Specify Finish Required Stainless Steel, Satin Finish
 Matte Black Finish, please use model no. B-35303.MBLK



Rough Wall Opening
 11-1/2" (290mm) wide
 17-1/4" (440mm) high
 3-3/4" (95mm) minimum recessed depth

ADA/CBC Installation Guidance
 *Operable Part: Center of napkin disposal push door. Top of disposal door shall be 1-1/2" minimum below grab bar.
 *For more information regarding operable parts, please refer to Bobrick Planning Guide for Accessible Restrooms, page 9.

MATERIALS:

- Cabinet** — 18-8, type-304, stainless steel. All-welded construction.
- Door** — 18-8, type-304, 18-gauge (1.2mm) stainless steel with satin finish or matte black, as specified. 9/16" (14mm) 90° return for maximum rigidity. Secured to cabinet with a concealed, full-length stainless steel piano-hinge.
- Disposal Panel** — 18-8, type-304, 22-gauge (0.8mm) stainless steel with satin finish or matte black, as specified. Secured to door with a concealed, full-length stainless steel piano-hinge. Self-closing panel has international graphic symbol identifying napkin disposal.
- Waste Receptacle** — Leak-proof rigid molded polyethylene. Removable for servicing. Capacity: 1.2-gal. (4.6-L).

OPERATION:

Unit is equipped with self-closing panel covering disposal opening. Napkin disposal is emptied by opening door and removing waste receptacle. Disposable paper liners for napkin receptacle are available as optional accessory: order Bobrick Part No. 353-12.

INSTALLATION:

Provide framed rough wall opening 11-1/2" wide x 17-1/4" high (290 x 440mm). Minimum recessed depth required to finish face of wall is 3-3/4" (95mm). Allow for construction features that may protrude into rough wall opening from opposite wall. Coordinate with mechanical engineer to avoid pipes, vents, and conduits. If unit projects above top of wainscot, provide aluminum channel or other filler to eliminate gap between flange and finish face of wall. Mount unit in wall opening with shims between framing and cabinet at all points indicated by an S, then secure unit with #8 x 1-1/4" (4.2 x 32mm) sheet-metal screws (not furnished).

SPECIFICATION:

Recessed sanitary napkin disposal shall be type-304 stainless steel with all-welded construction; exposed surfaces shall have satin finish or matte black, as specified. Door shall have 9/16" (14mm) 90° return and be equipped with a concealed, full-length stainless steel piano-hinge. Napkin disposal shall have self-closing stainless steel panel covering receptacle opening. Panel shall be equipped with full-length stainless steel piano-hinge and international graphic symbol identifying napkin disposal. Unit shall be furnished with a removable, leakproof, molded polyethylene receptacle. Receptacle shall have a capacity of 1.2-gal. (4.6-L).

Recessed Sanitary Napkin Disposal shall be Model B-35303 of Bobrick Washroom Equipment, Inc., Clifton Park, New York; Jackson, Tennessee; Los Angeles, California; Bobrick Washroom Equipment Company, Scarborough, Ontario; Bobrick Washroom Equipment Pty. Ltd., Australia; and Bobrick Washroom Equipment Limited, United Kingdom.